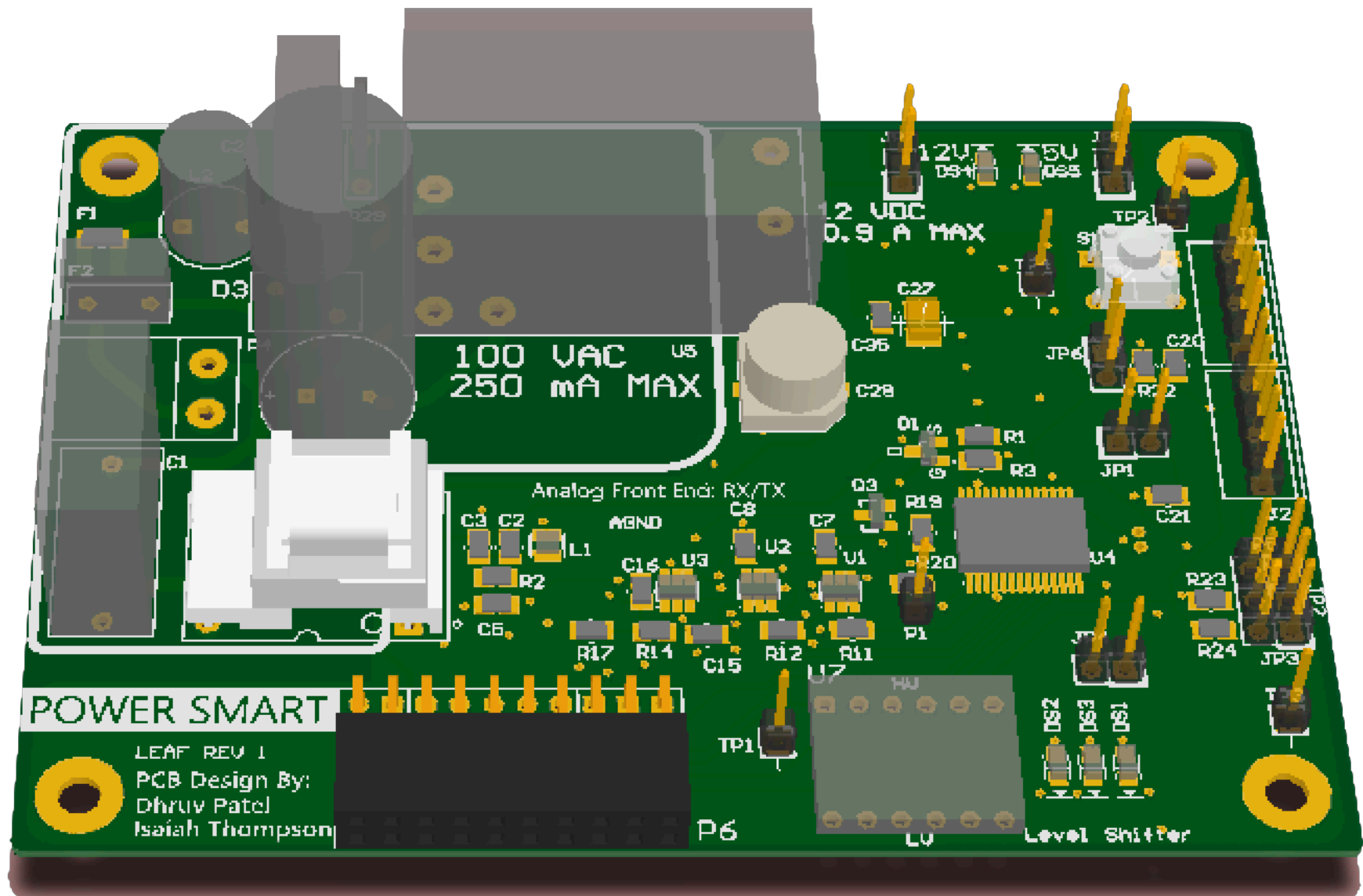
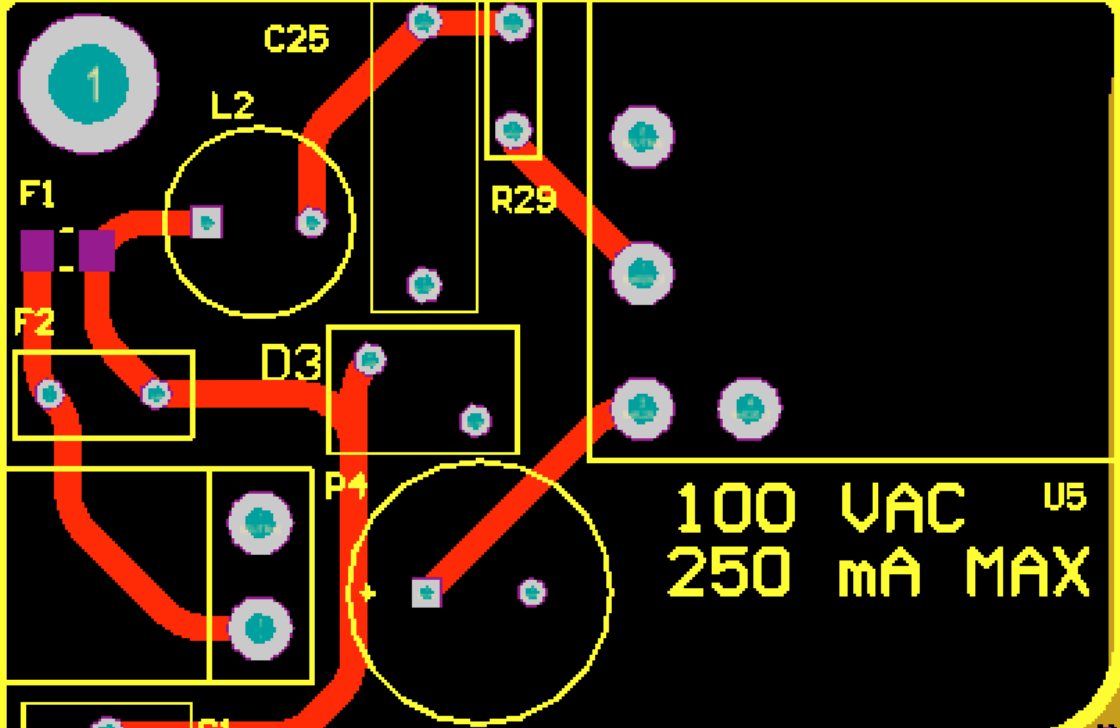
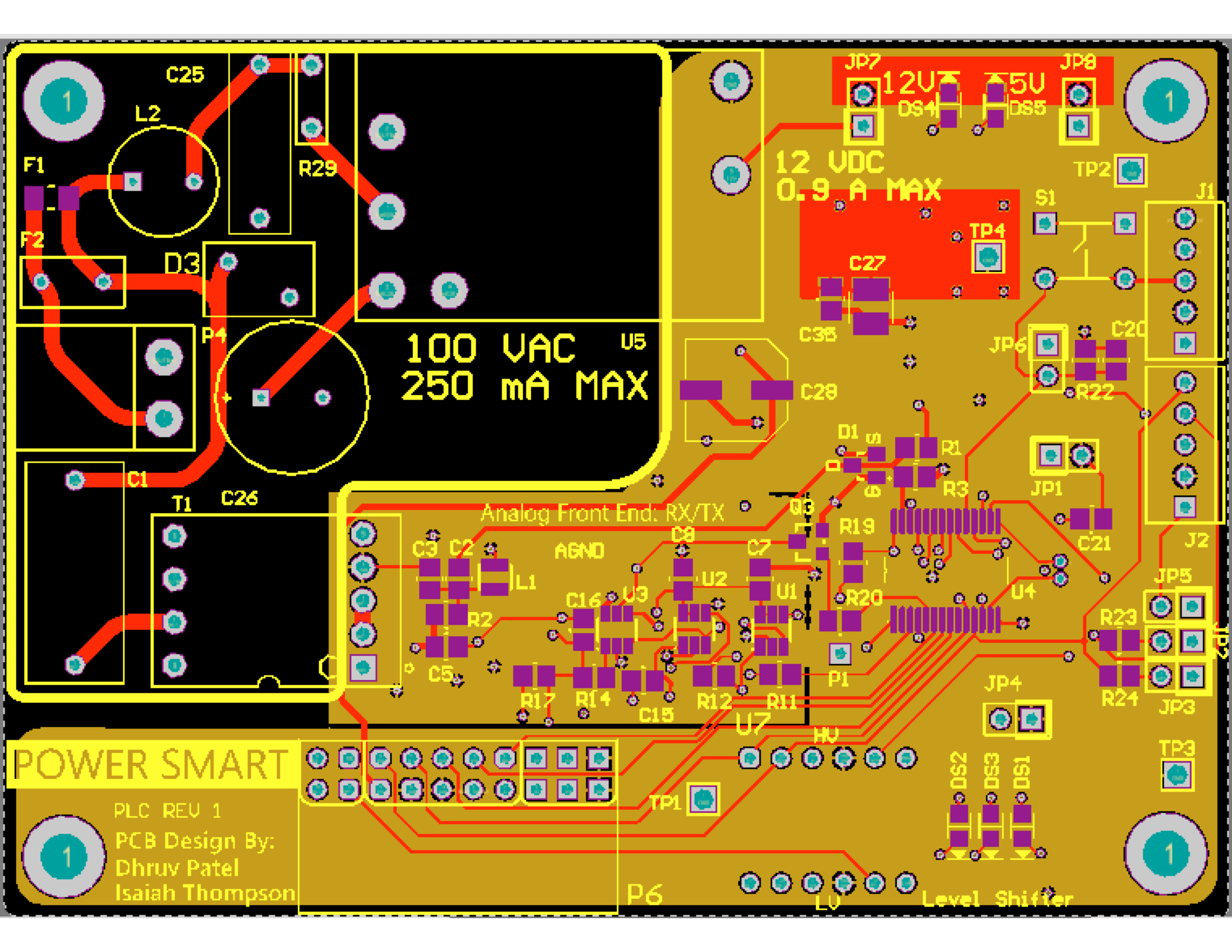


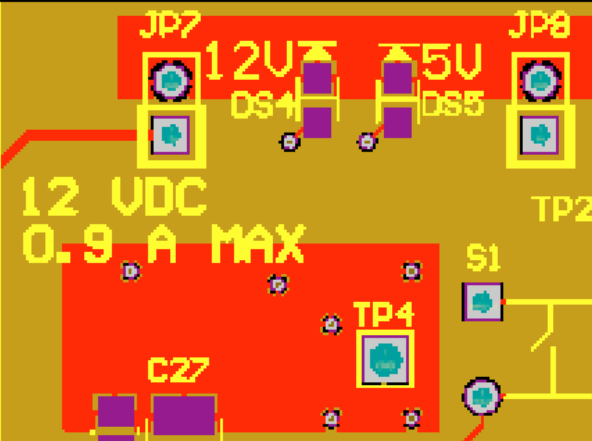
PLC Transceiver PCB Front Side



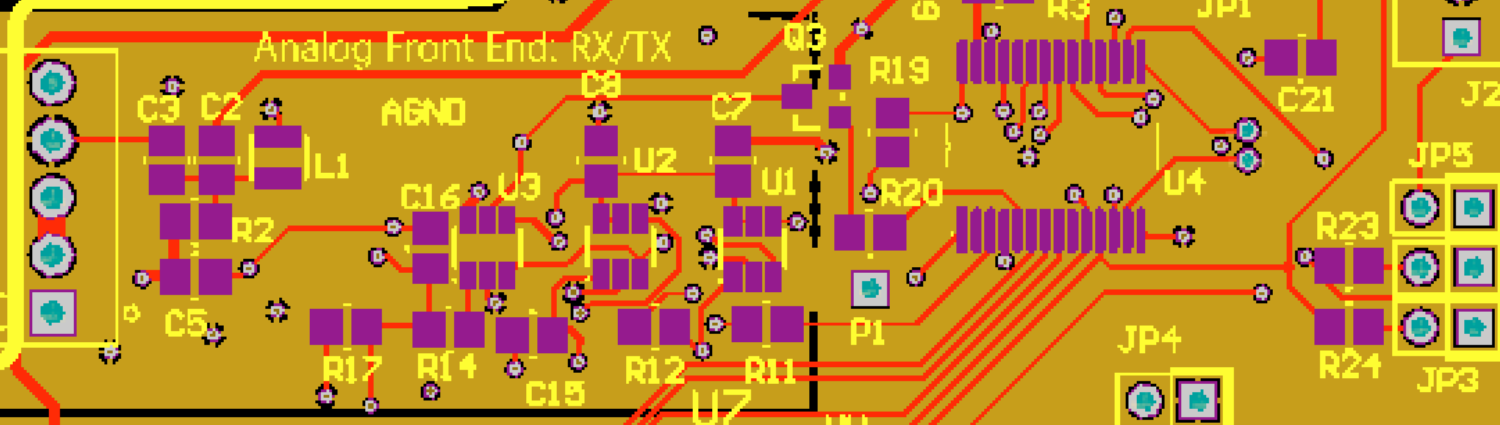
PLC Transceiver PCB Front Side



100 VAC
250 mA MAX



12 VDC
0.9 A MAX



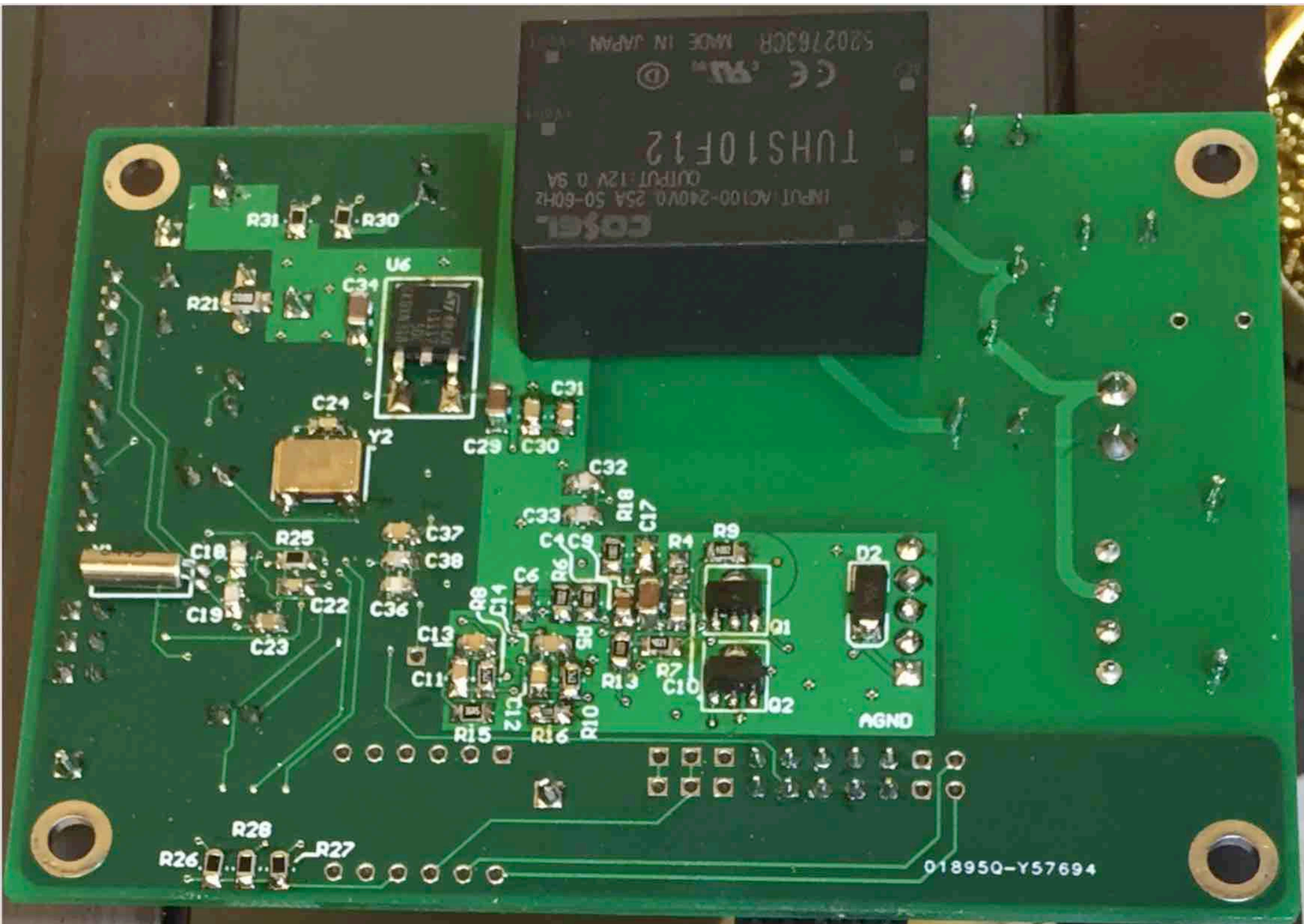
Analog Front End: RX/TX

AGND

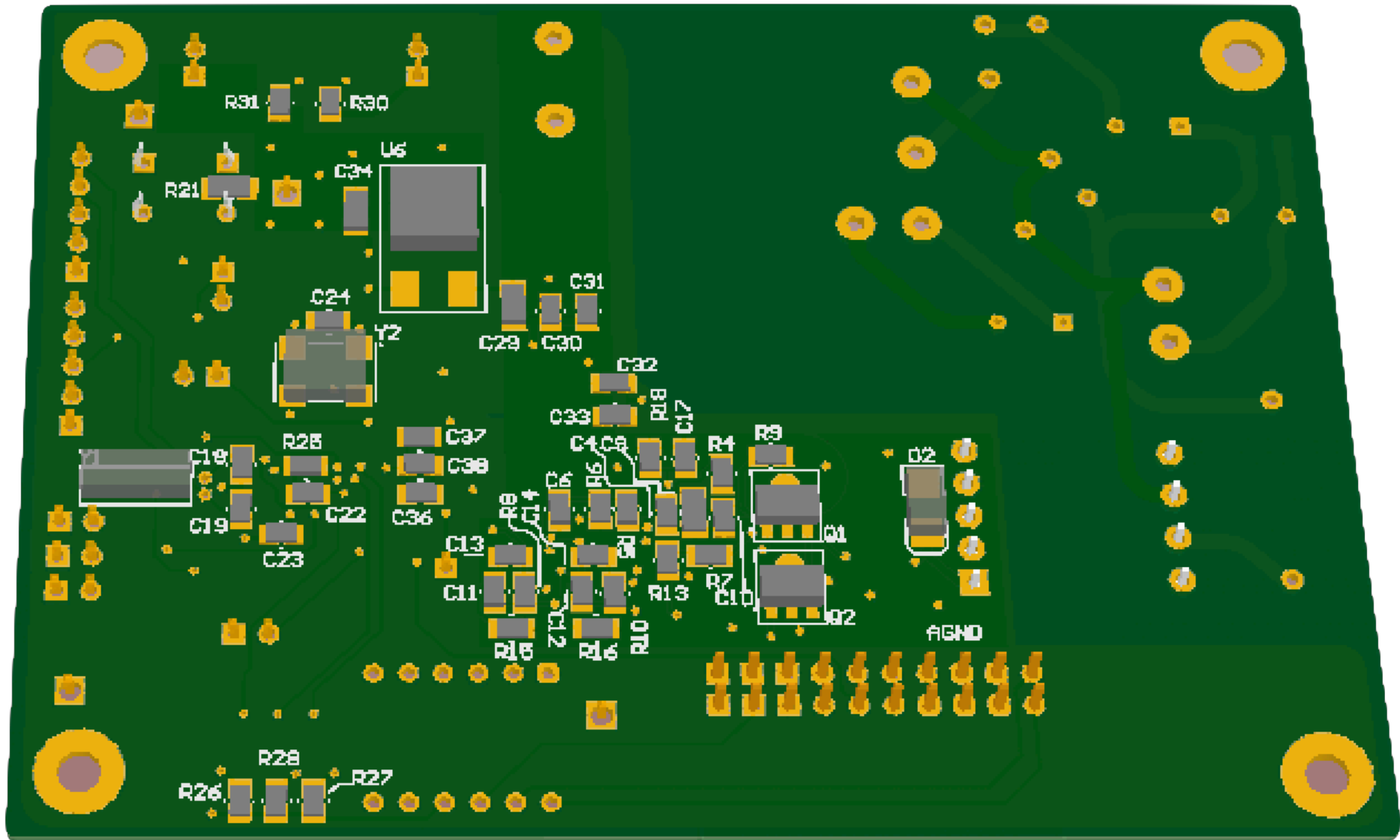
POWER SMART

PLC REV 1
PCB Design By:
Dhruv Patel
Isaiah Thompson

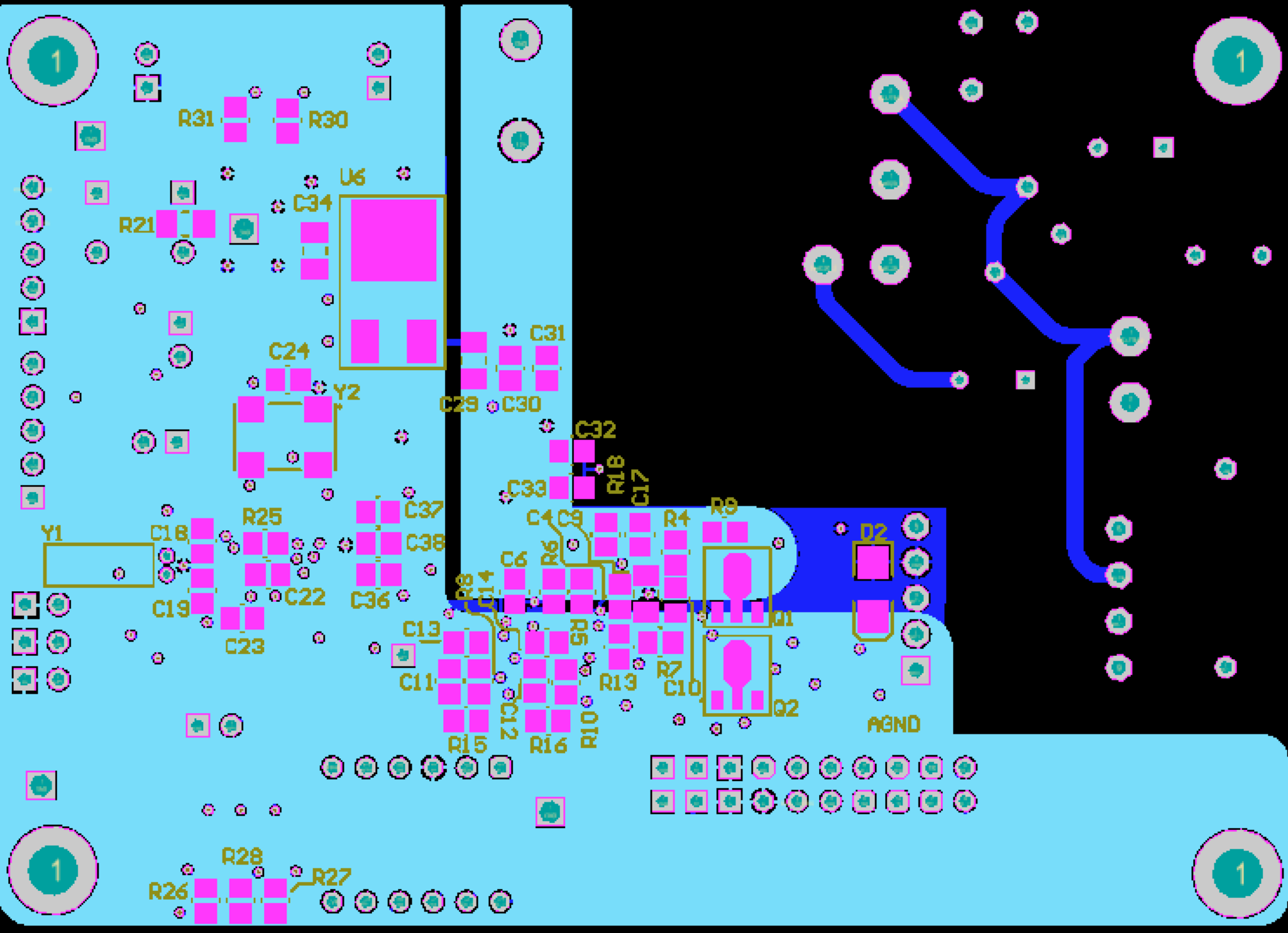
Level Shifter



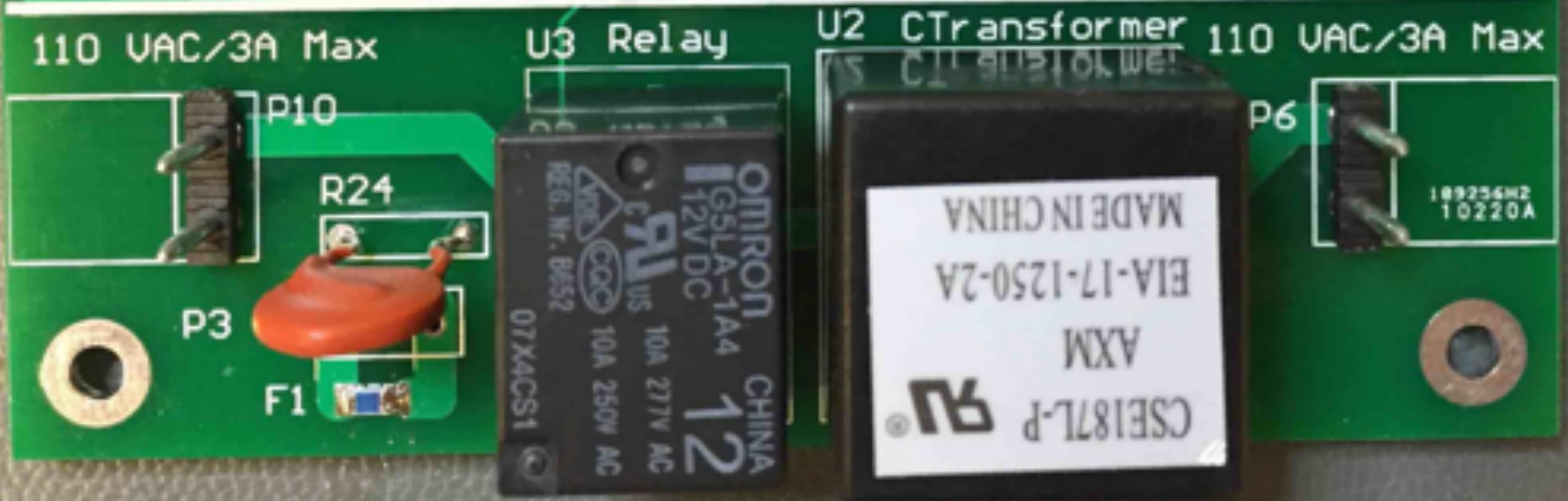
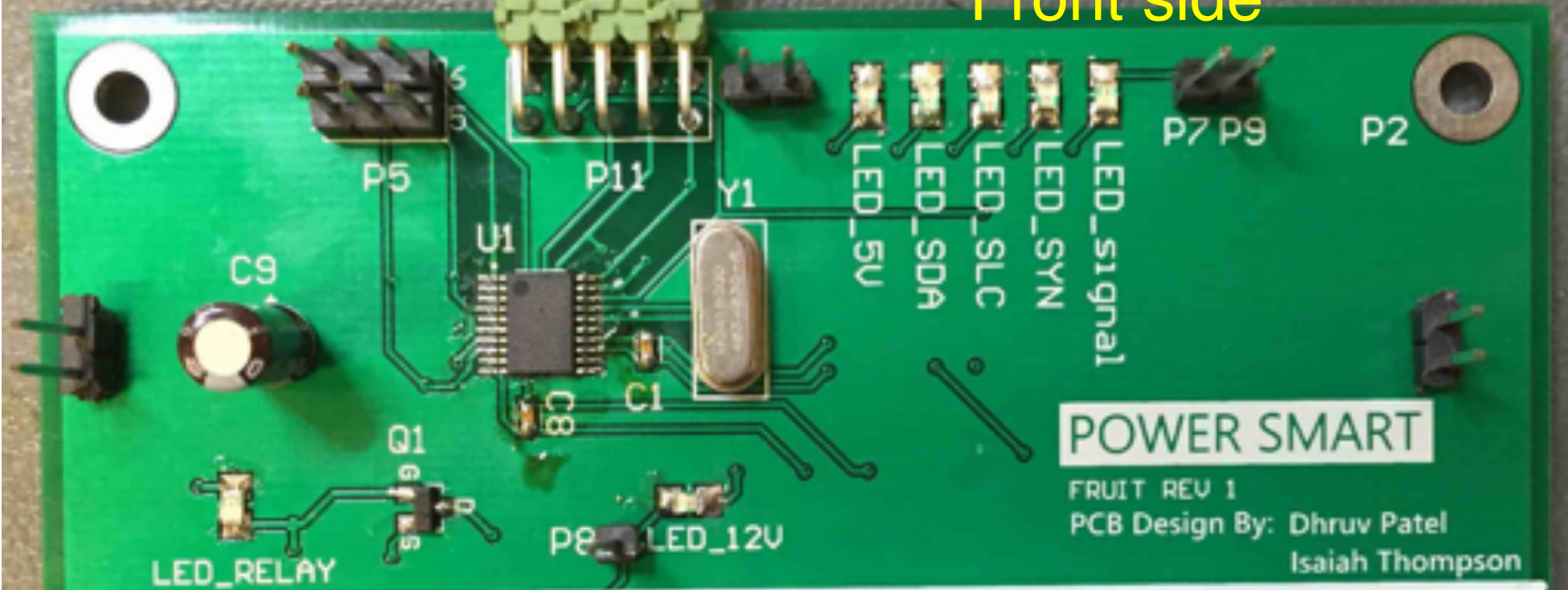
PLC Transceiver PCB Back Side

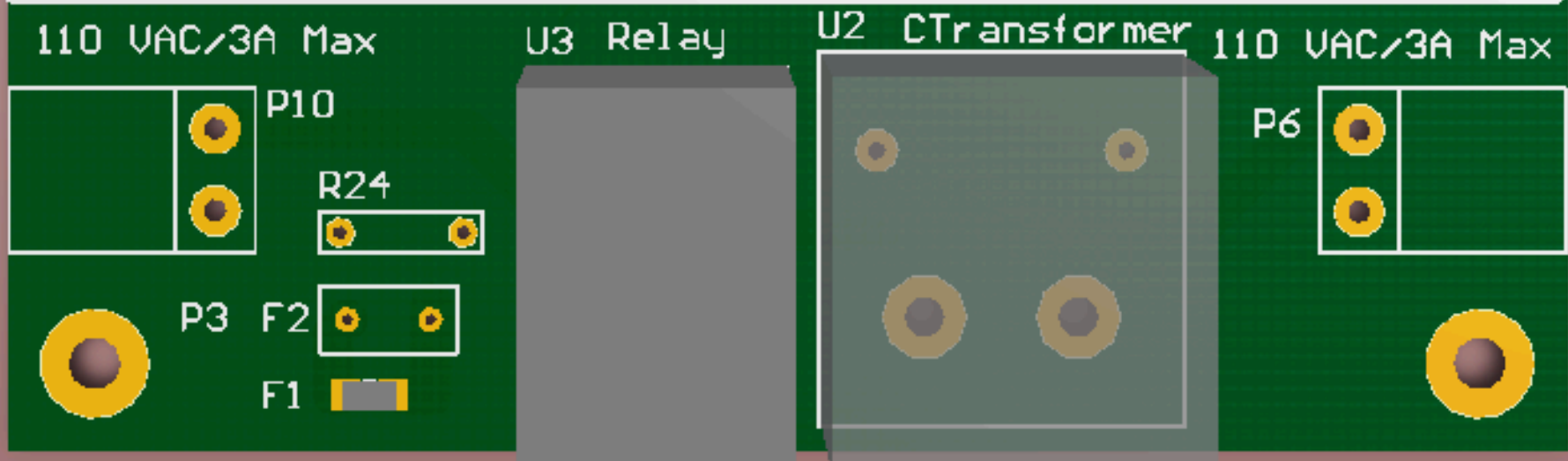
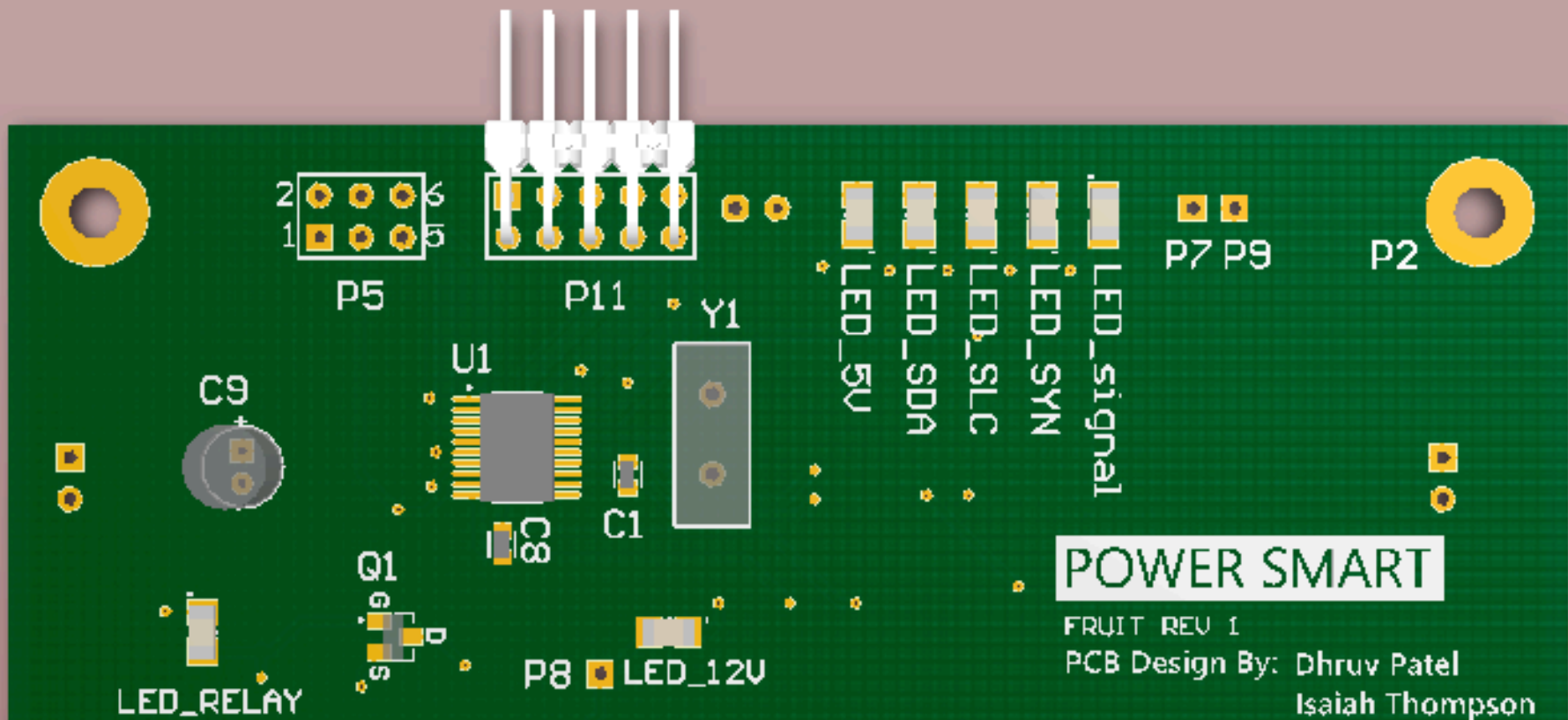


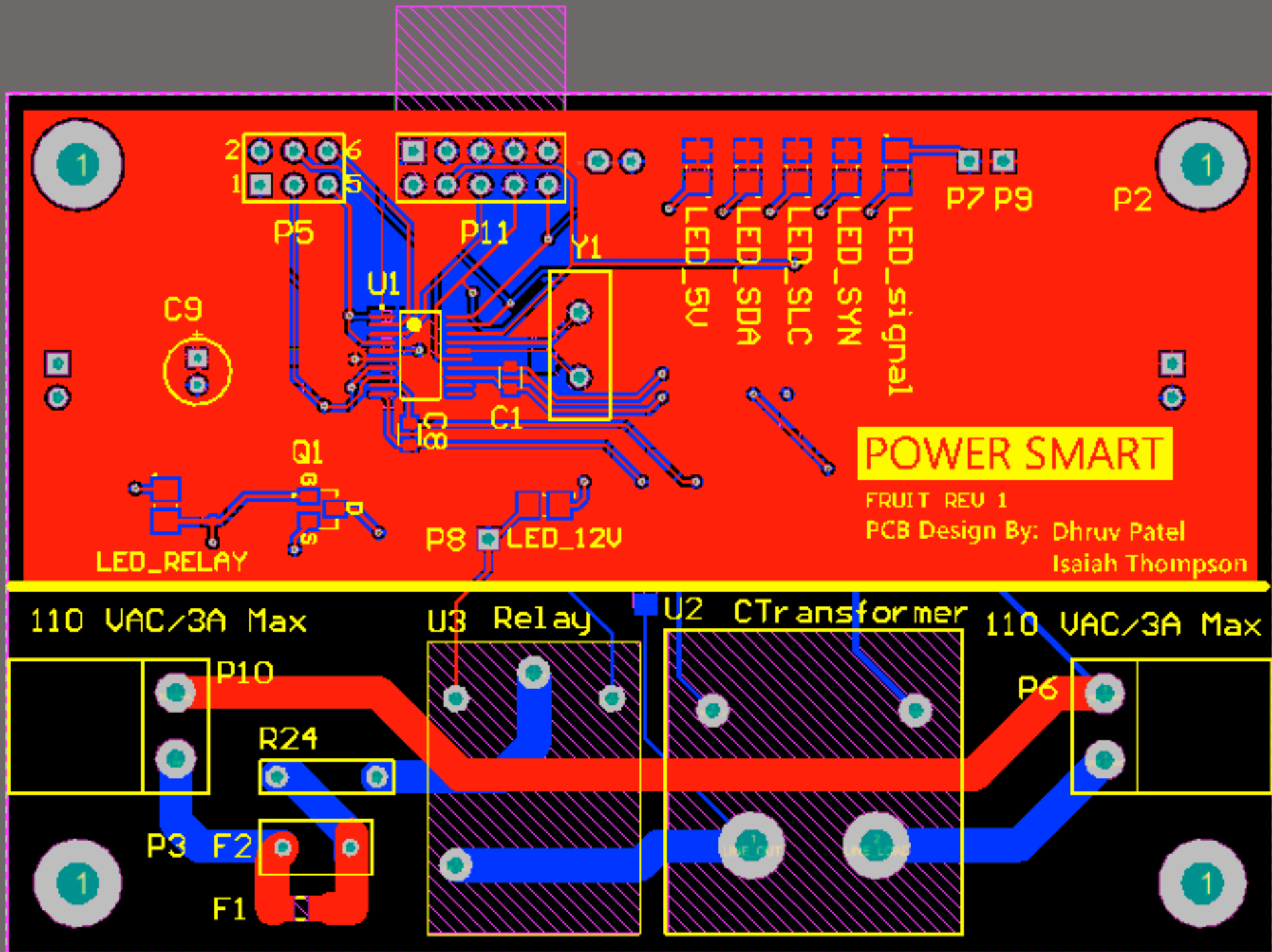
PLC Transceiver PCB Back Side



Power monitoring PCB - Front side







POWER SMART

FRUIT REV 1
PCB Design By: Dhruv Patel
Isaiah Thompson

110 VAC/3A Max

U3 Relay

U2 CTransformer

110 VAC/3A Max

P10

R24

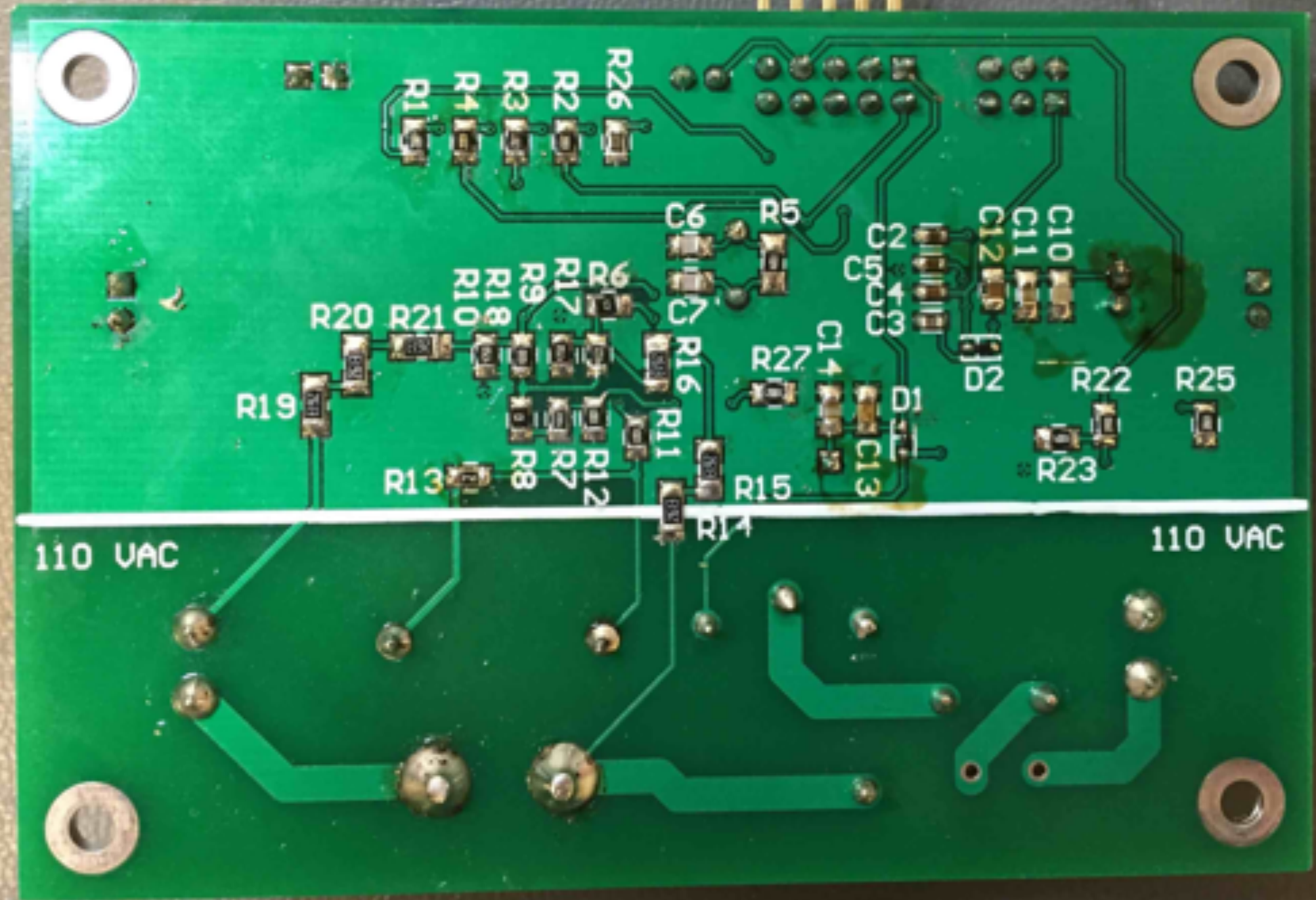
P6

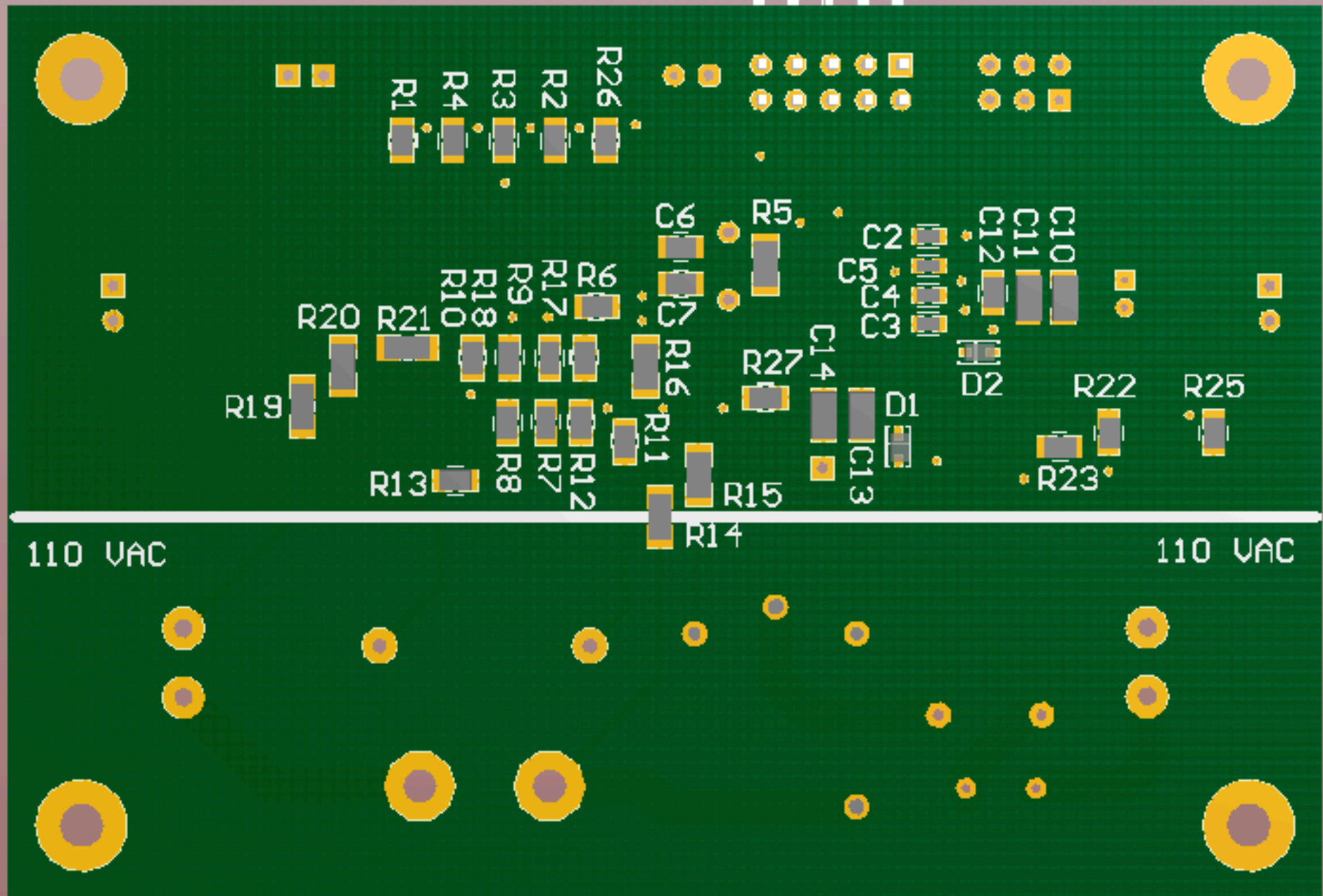
P3

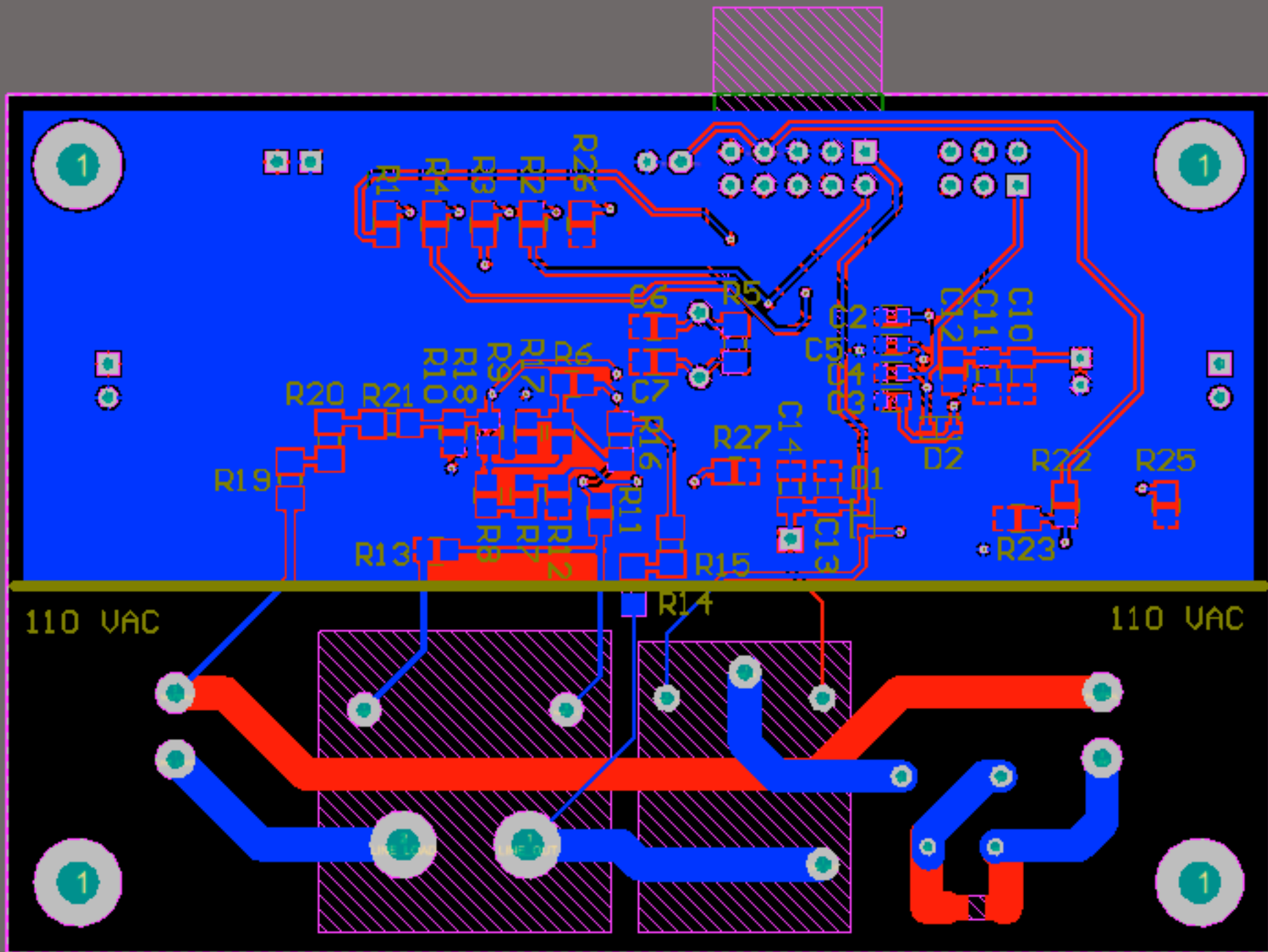
F2

F1

Power monitoring PCB - Back side







110 VAC

110 VAC

1

1

1

1

R1 R2 R3 R4 R5 R6 R7 R8 R9 R10 R11 R12 R13 R14 R15 R16 R17 R18 R19 R20 R21 R22 R23 R24 R25 R26 R27
C1 C2 C3 C4 C5 C6 C7 C8 C9 C10 C11 C12 C13 C14
D1 D2 D3 D4 D5 D6